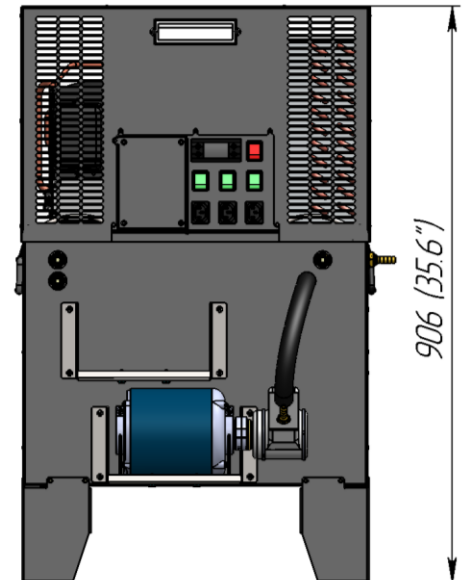
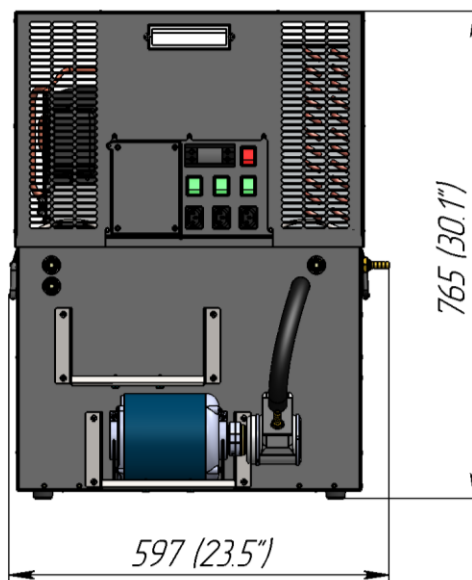
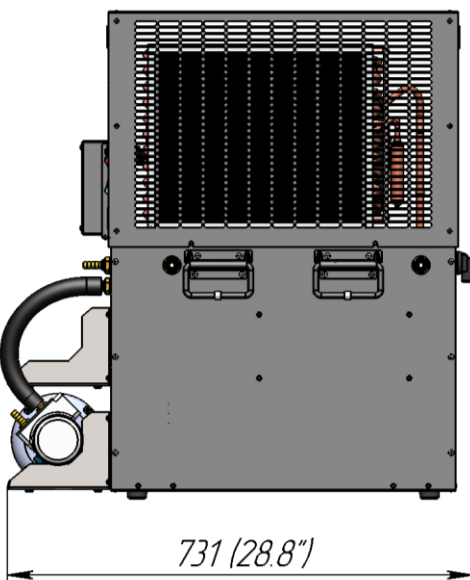


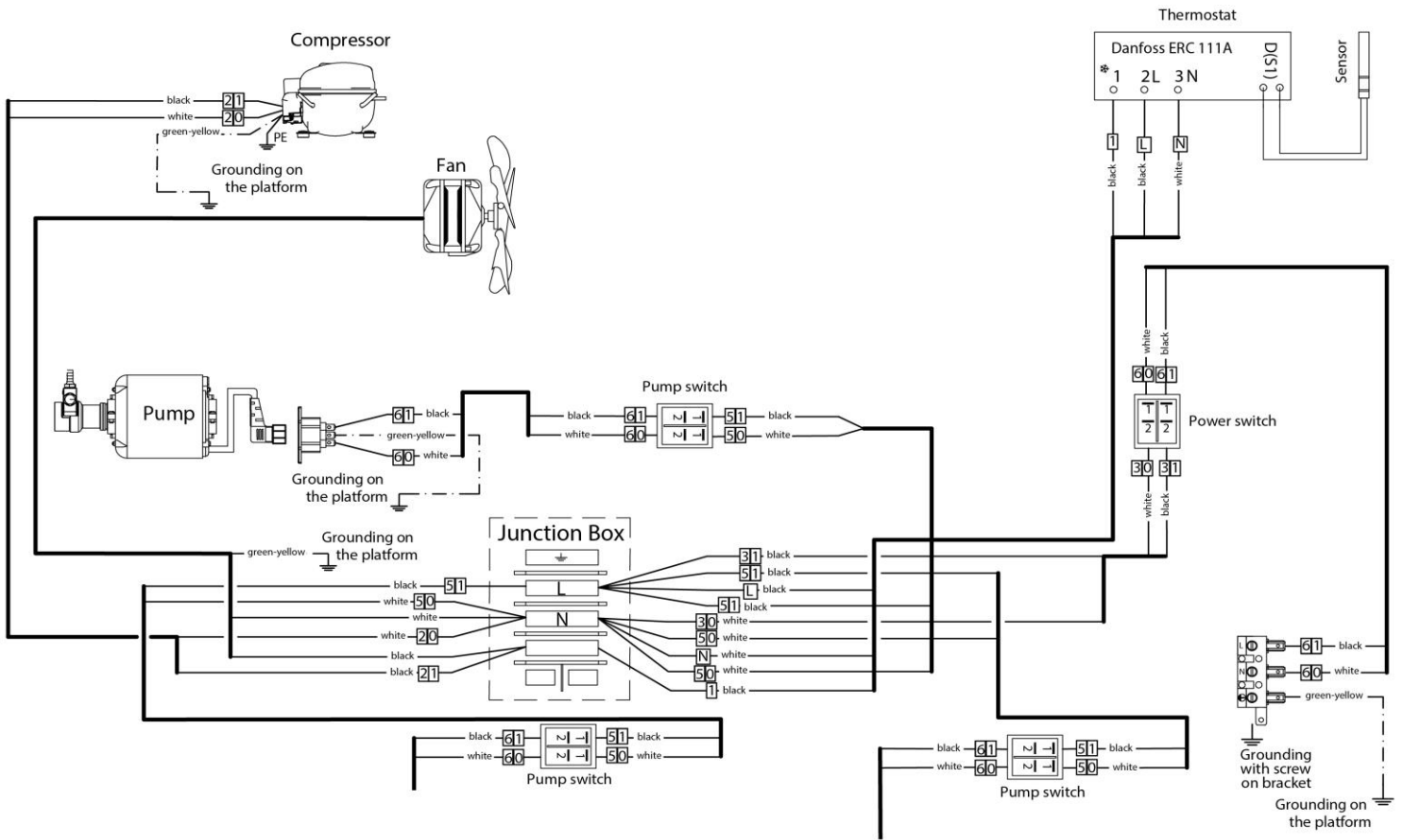


DIMENSIONS



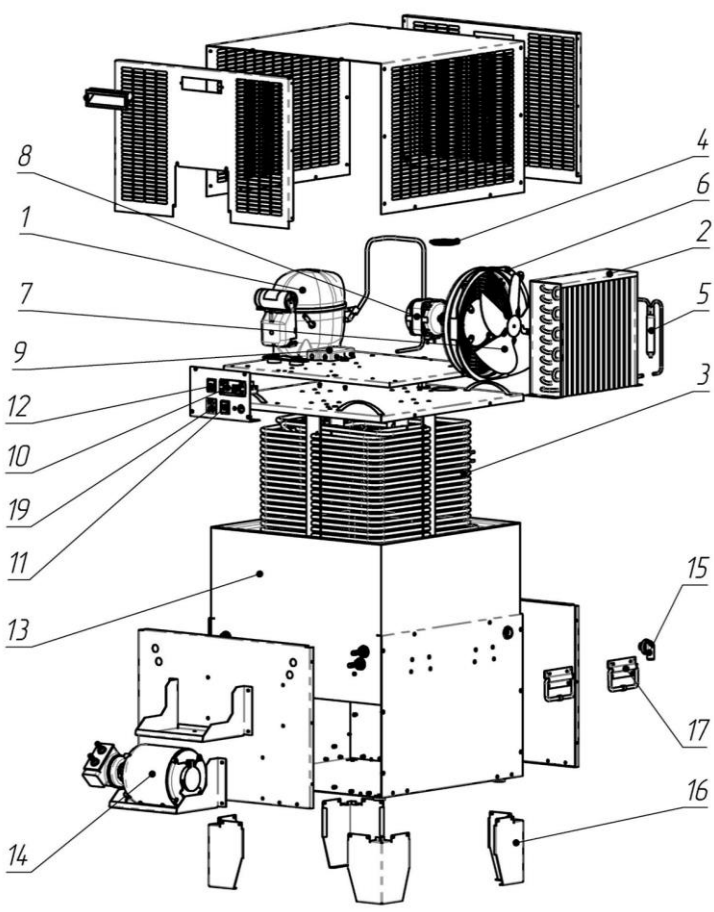
SPECIFICATIONS

INTERNAL NUMBER	151.00.000.00-XX
PART NUMBER	CP-7500-1
MAXIMUM DISTANCE, FT	up to 450
CAPACITY, BTU/H	7500
GLYCOL TANK CAPACITY, GAL	18
COMPRESSOR POWER, HP	1
RUNNING, AMP	With 1 pump - 10.0 A
PLUG TYPE (NEMA #)	6-20P ☹️
VOLTAGE, V	208/230
FREQUENCY, HZ	60
PUMP TYPE	Vane with 1/3 hp motor
PUMP, GPH	80
NUMBER OF PRE-INSTALLED PUMPS	3
NUMBER OF ADDITIONAL PUMPS	0
REFRIGERANT	R290
REFRIGERANT CHARGE, G (OZ)	150 (5.29)
WEIGHT GROSS/NET, LB	140 / 133
POWER CORD LENGTH, FT	6
INLET/OUTLET BARB, IN	3/8
OPERATING AMBIENT TEMPERATURE, °F	60-90
CLEARANCE AT LEAST	12" around the entire unit
GLYCOL MIXTURE, VOL%	40 % glycol and 60% water



WIRING DIAGRAM

PARTS



1	Compressor "EMBRACO" NTX 6225UV 208-230 V/60Hz or "SECOP" SCE18MNX 208-230 V/60Hz
2	Air condenser "KARYER" STVF 194 or "JINAN RETEK" B-10246
3	Evaporator
4	Cap
5	Filter-drier "DE-NA" GR-15 d6.1xd6.1xd2.5
6	Plastic grid "KARYER"
7	Impeller $\varnothing 254$ mm., $\alpha=280$
8	Electric motor "ELCO" NU 16-30-4/280 (230V-50/60Hz), UL or WG": ECM 7120 (230V-50/60Hz)
9	Junction box "ITW ELETTRIGIBI" PA104
10	Thermostat "ELIWELL" EWPlus 961(208-230 V/60Hz) (EW17Y10XB4B01) or "DANFOSS" ERC 111A (208-230 V/ 60Hz)
11	Power switch "ARCOLECTRIC" C6053ALBR (Red)
12	Power switch "ARCOLECTRIC" C6053ALBG (Green)
13	Glycol bath
14	Glycol pump «FLUID-O-TECH» PA 2501 («PROCON» 102A080F11BA), cover to the pump « FLUID-O-TECH », set union joint « FLUID-O-TECH » 48 YZ and motor "UBC" YU250-4G01 (208-230V/60Hz)
15	Overflow
16	Foot
17	Handle
19	Connector R302SN 250V 10A